

LED Post Top Lantern



(Without cover)



(With Glass Cover)



(With PC cover)



(With Photocell sensor)

1.Features

- Power Factor: ≥ 0.95
- LED Chip: Lumileds/Samsung
- CRI: $R_a \geq 70$
- Dimming: YES/No
- Cover: PC/Glass Cover/No Cover

Photocell sensor: Y/N

Material: Aluminum alloy + PC cover/Glass cover/No Cover

- Standard color: dark bronze/Black
- Working Temperature: $-40^{\circ}\text{F} \sim 122^{\circ}\text{F}$
- Lifespan: > 54000 hours (@ $T_c = 176^{\circ}\text{F}$)
- Total Harmonic Distortion: 15%

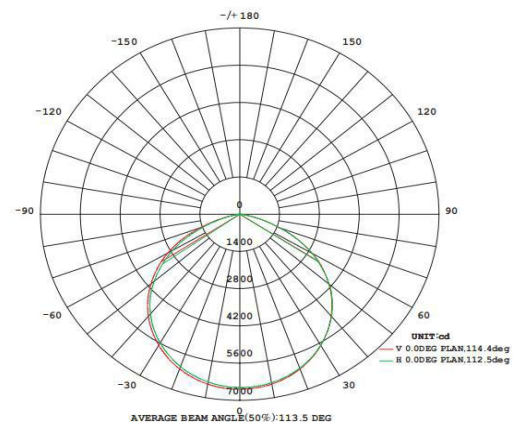
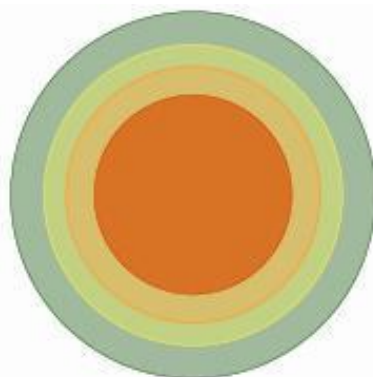
2.Application

City Urban, plaza , shopping mall , roadway ,garden ,House and general lighting applications.

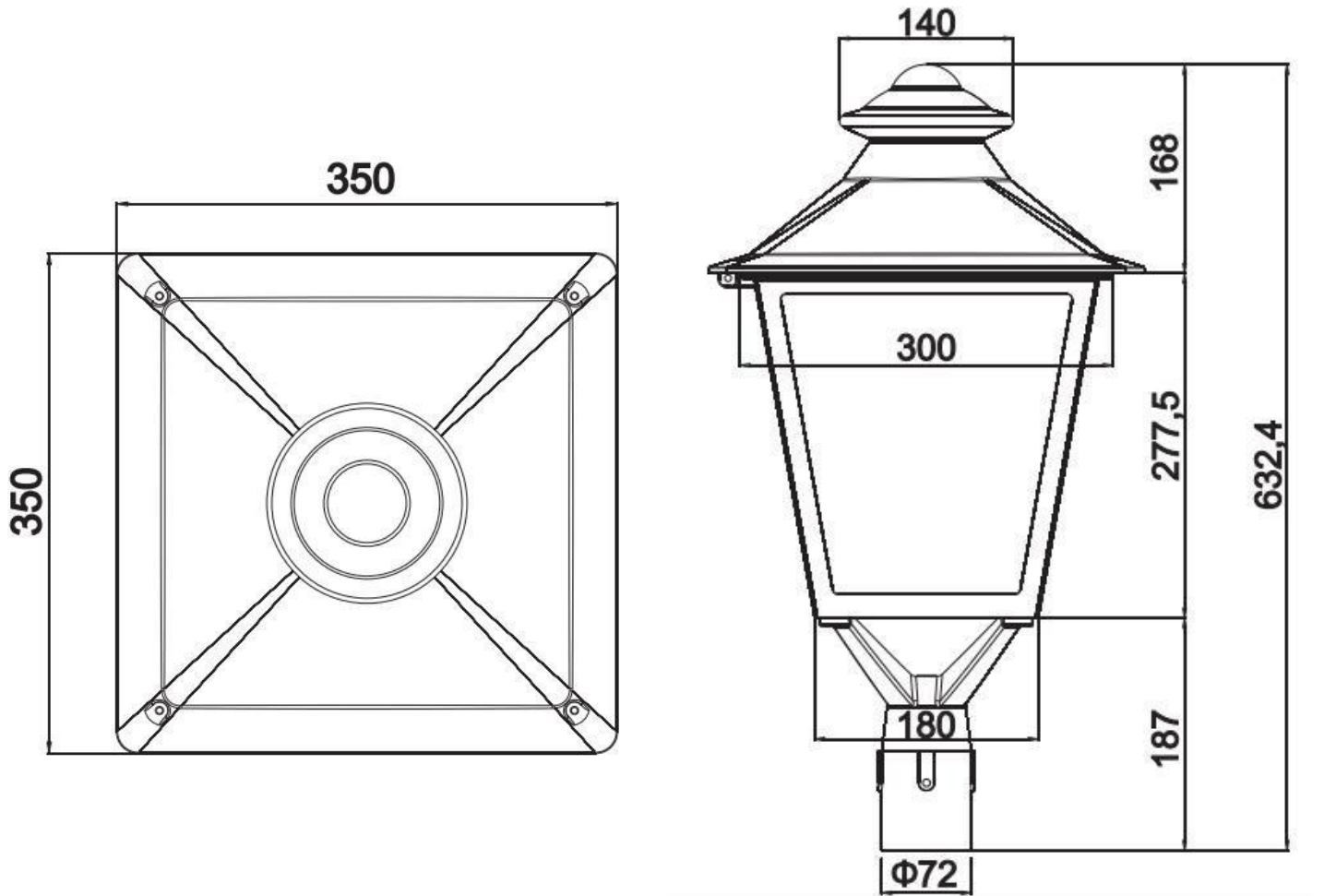
3.Ordering Information

Model	Wattage	CCT	Lumen	Input Frequency	Voltage	Warranty
YR-TP300-W030	30watt	5000K	3,800lm	50/60HZ	100-277V	5 years
YR-TP300-W060	60watt	5000K	7,600lm	50/60HZ	100-277V	5 years
YR-TP350-W080	80watt	5000K	9,800lm	50/60HZ	100-277V	5 years
YR-TP350-W090	90watt	5000K	115,00lm	50/60HZ	100-277V	5 years
YR-TP350-W100	100watt	5000K	120,00lm	50/60HZ	100-277V	5 years
YR-TP890-W120	120watt	5000K	145,00lm	50/60HZ	100-277V	5 years

4.Beam Angle Type V



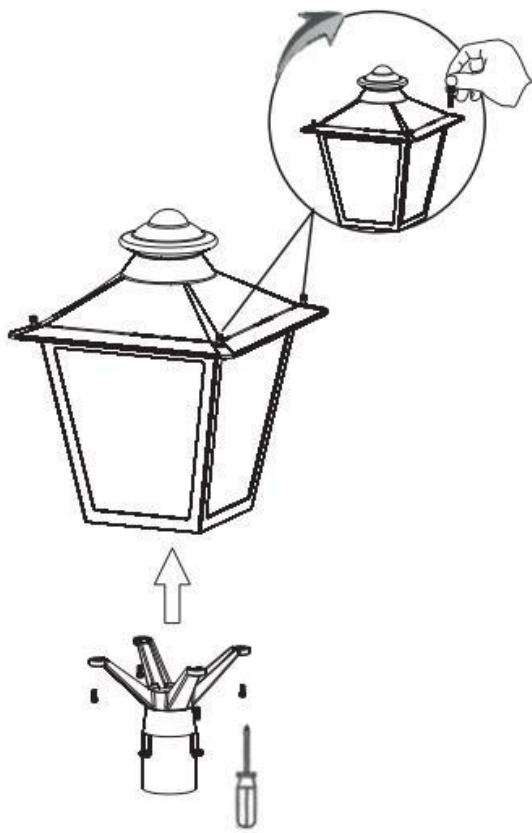
5. Dimension (Suitable for 2 3/8"/60mm diameter straight poles)---While using adapters could installed in other size of 3"/4"/5"/6" diameter ones



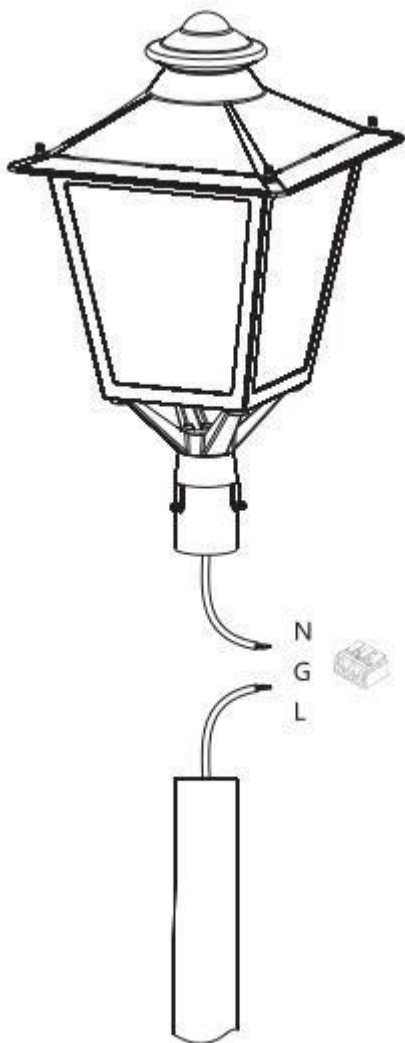
6. Installation Instruction



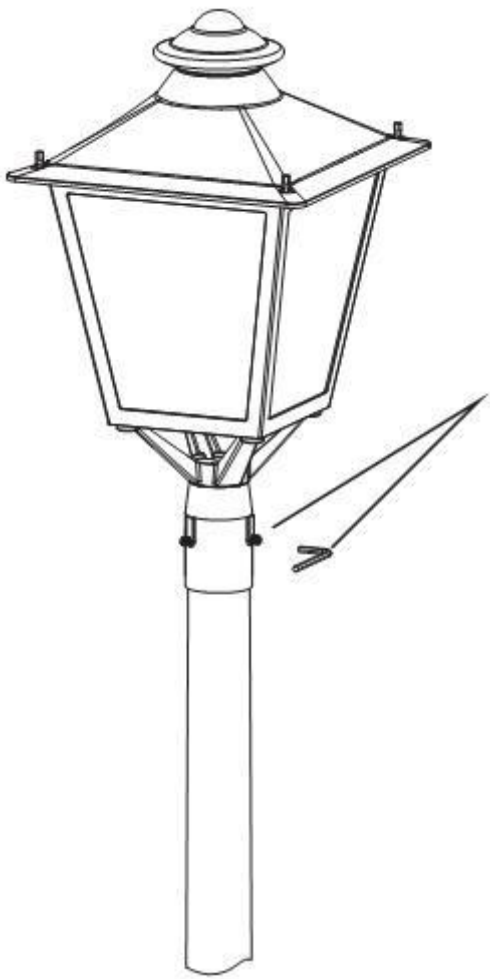
Step 1. Use your hand or tools to loosen the 2 screws on the top of the fixture, open the top cover of the fixture, and then take out the mount bracket inside the fixture.



Step 2. Close the top cover of the fixture, and fix the top cover onto the fixture using screws. And then after use screw driver to fix the mount bracket to the fixture.

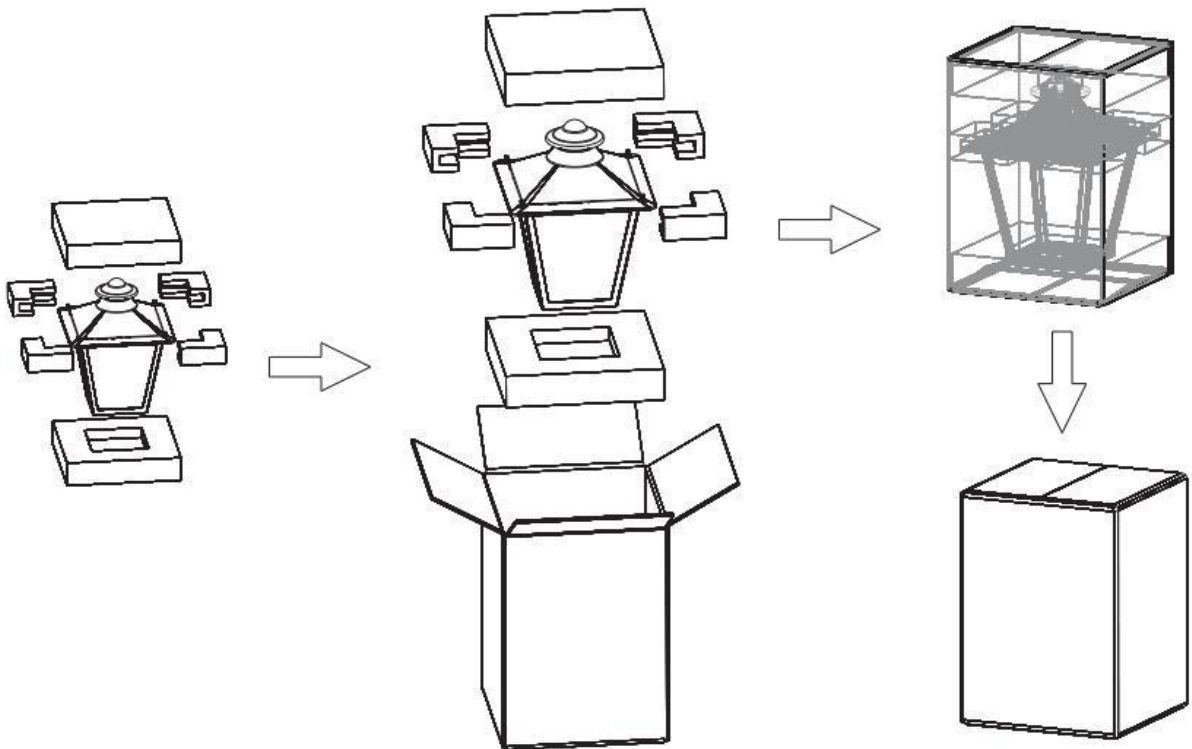


Step 3. Wire the cable with the cable in the pole.



Step 4. Use screws to fix the fixture onto the pole.

7.Package



8.Outlook installed



9.Attention

- (1) Cut off the power and make sure the installation place/body could burden the weight of the fixture.
- (2) Make sure the fixture installed correctly,avoid fixture dropping down.
- (3) Do not use the fixture in the place which is corrosive area,unless let us know in advance and making special painting.
- (4) Do not cover anything which would affect the heat dissipation.
- (5) 5 years warranty
- (6) Products quality issue caused by disassembling,changing the fixture are not in the warranty period.